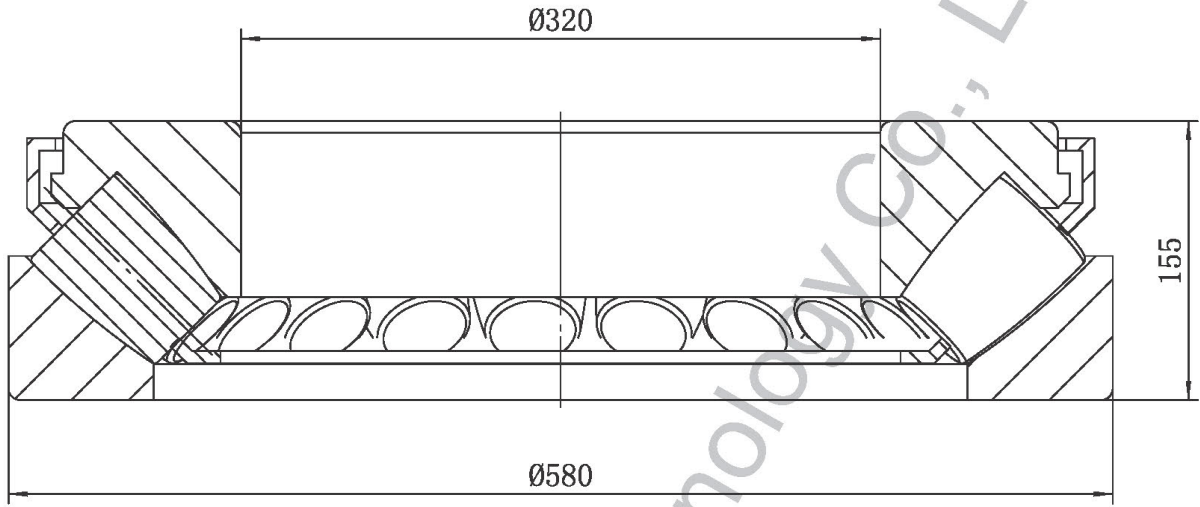


29464E



- 1 rated load:  $C_r = 4050 \text{ KN}$  ;  $C_{or} = 16800 \text{ KN}$  ;
- 2 Heat treatment according to the current standards

Remark:

- 1. Luoyang JCB Bearing Technology Co., Ltd is a technical Inc, specialize in designing and manufacturing thrust bearing, we can design and manufacture all kinds of thrust bearing according to client's requirement.
- 2. This drawing is reference for user, if you need formal drawing, please contact with us sales@jcb-bearing.com, the official drawing will be submitted after order confirmation.



07	cage		STEEL			
04	roller		steel GCr15-GB/T18254			
02	shaft washer		steel GCr15SiMn-GB/T18254			
01	house washer		steel GCr15SiMn-GB/T18254			Weight (kg)
serial	Name	Qty	Material	179		
				29464E		
Thrust spherical roller bearing				Add: No.3 Lianmeng road, Luoyang, Henan, China.		
				Postal: 471003      Website: <a href="http://www.jcb-bearing.com">www.jcb-bearing.com</a>		
				Phone: +86-379-68611678 <a href="http://www.sphericalrollerthrustbearing.com">www.sphericalrollerthrustbearing.com</a>		
				Fax: +86-379-68611679      com		
				E-mail: sales@jcb-bearing.com		
				Luoyang JCB Bearing Technology Co., Ltd		